


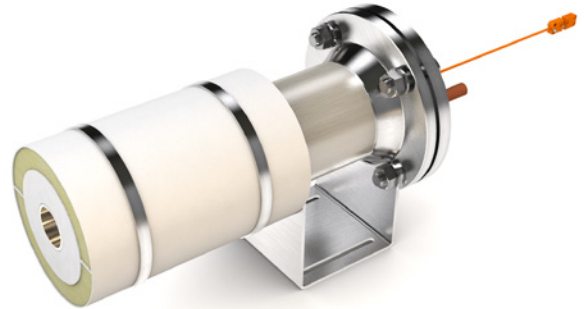
## KANTHAL® FLOW HEATER KFH2-40-400 HEATING GASES UP TO 1100°C

### TECHNICAL SPECIFICATION

#### SPECIFICATIONS

##### GENERAL

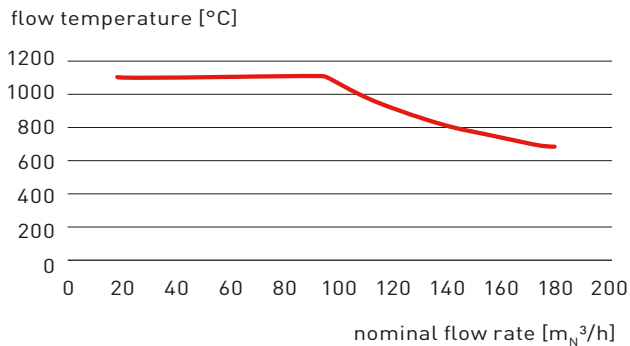
Model	KFH2-40-400		
Article Number	DFH100405 / DFH100406		
Directive	Low Voltage Directive 2014/35/EU		
 European Community	DIN EN 60519-1		
	DIN EN 60335-1		
Usage ambient temperature	0...40 °C		
	32...104 °F		



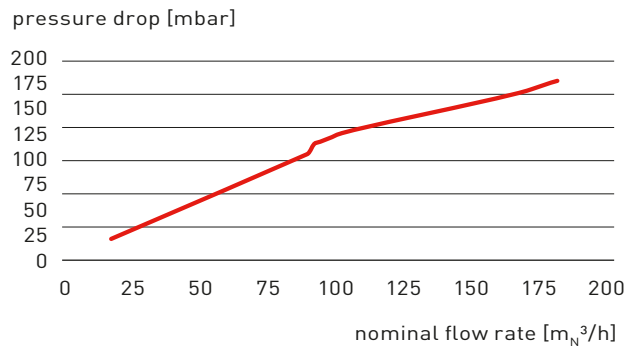
##### FLOW AND HEAT DETAILS

Gases and max. outlet temperature	Air (dry, clean)	1100 °C	2012 °F
	Nitrogen	1000 °C	1832 °F
	Argon	900 °C	1652 °F
Maximum inlet temperature		50 °C	122 °F
Nominal flow rate [air]	108 kg/h	90 m³/h	1500 slm    53 cfm
Minimum flow rate [air]	21.6 kg/h	18 m³/h	300 slm    10.6 cfm
Maximum flow rate [air]	216 kg/h	180 m³/h	3000 slm    106 cfm
Pressure drop (at nominal flow rate)	12.5 kPas	125 mbar	1.8 psi
Design operating pressure	150 kPas abs	1,5 bar abs	22 psi abs


##### OUTLET TEMPERATURE IN CLEAN AIR

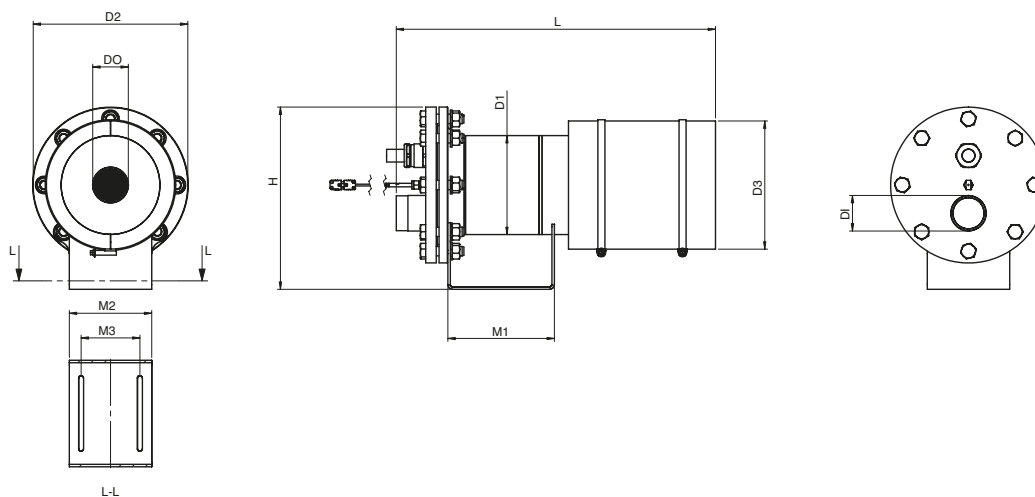


##### PRESSURE DROP IN CLEAN AIR



## ELECTRICAL DETAILS

Nominal Voltage supply	400 V	3L
Nominal Line Current	59 A	
Nominal Power	40 kW	
Power Cable	4G16 mm <sup>2</sup>	2.5 m
Recommended Power Control	PID control with fast reaction parameter settings and thyristor switch	
Protection Class		1
Type of load	Ohmic	
Thermocouple	Type S, miniature connector 2-pole	



## MECHANICAL DETAILS

	L	H	D1	D2	D3	M1	M2	M3
Dimensions	543 mm	310 mm	168.3 mm	265 mm	225 mm	181 mm	140 mm	100 mm
Flow Inlet	R2" (external thread)			D1 Ø60.3 mm				
Flow Outlet	2"			DO Ø60.3 mm				
Weight	36 kg							

## SPARE PARTS

DESCRIPTION	ARTICLE NUMBER
Insulation set with clamps	DFH400007
Nozzle Insulation	DFH400086