


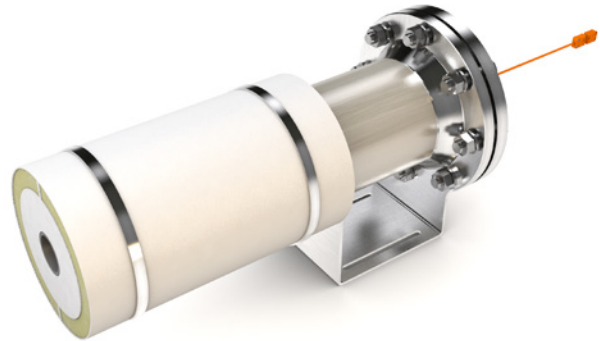
## KANTHAL® FLOW HEATER KFH2-30-400 HEATING GASES UP TO 1100°C

### TECHNICAL SPECIFICATION

#### SPECIFICATIONS

##### GENERAL

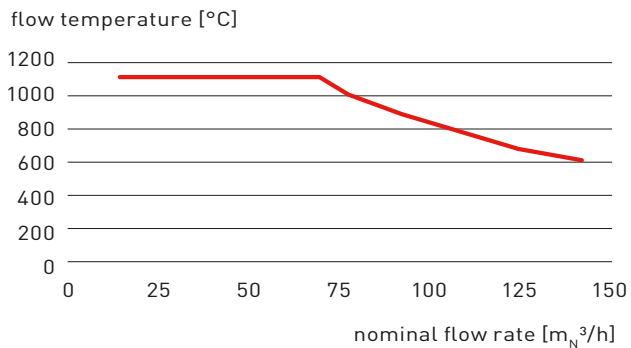
Model	KFH 2-30-400		
Article Number	DFH100605 / DFH100606		
Directive	Low Voltage Directive 2014/35/EU		
 European Community	DIN EN 60519-1		
	DIN EN 60335-1		
Usage ambient temperature	0...40 °C		
	32...104 °F		



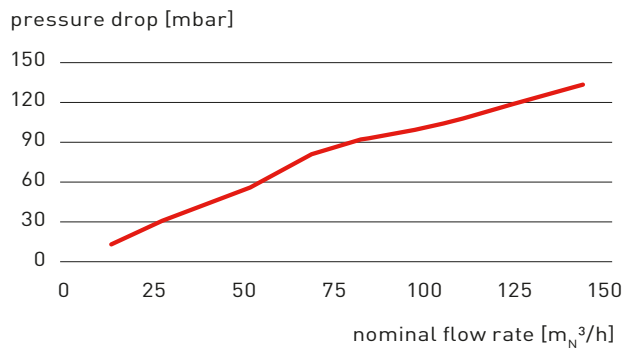
##### FLOW AND HEAT DETAILS

Gases and max. outlet temperature	Air (dry, clean)	1100 °C	2012 °F
	Nitrogen	1000 °C	1832 °F
	Argon	900 °C	1652 °F
Max inlet temperature		50 °C	122 °F
Nominal flow rate (air)	81 kg/h	68 m³/h	1125 slm    40 cfm
Minimum air flow rate (air)	16.2 kg/h	13.6 m³/h	225 slm    8 cfm
Maximum air flow rate (air)	162 kg/h	136 m³/h	2250 slm    80 cfm
Pressure drop (at nominal flow rate)	8.2 kPas	82 mbar	1.2 psi
Design operating pressure	150 kPas	1,5 bar abs	22 psi abs


##### OUTLET TEMPERATURE IN CLEAN AIR

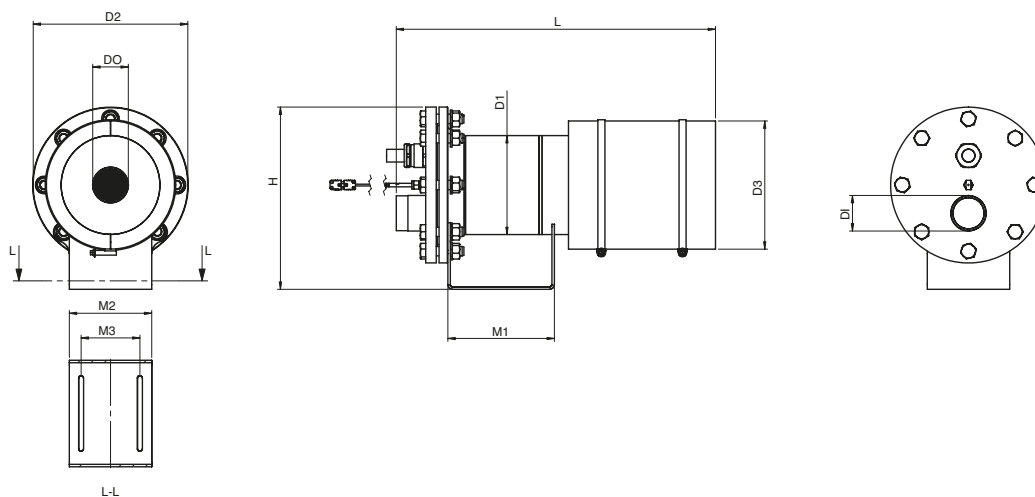


##### PRESSURE DROP IN CLEAN AIR



## ELECTRICAL DETAILS

Nominal Voltage supply	400 V	3L+PE
Nominal Line Current	43.3 A	
Nominal Power	30 kW	
Power Cable	4G16 mm <sup>2</sup>	2.5 m
Recommended Power Control	PID control with fast reaction parameter settings and thyristor switch	
Protection Class		1
Type of load	Ohmic	
Thermocouple	Type S, miniature connector 2-pole	



## MECHANICAL DETAILS

	L	H	D1	D2	D3	M1	M2	M3
Dimensions	590 mm	283 mm	139.7 mm	240 mm	195 mm	175 mm	140 mm	100 mm
Flow Inlet	R 1½" (external thread)			D1 Ø48.3 mm				
Flow Outlet	1½"			DO Ø48.3 mm				
Weight	32 kg							

## SPARE PARTS

DESCRIPTION	ARTICLE NUMBER
Insulation set with clamps	DFH400142
Nozzle Insulation	DFH400140