


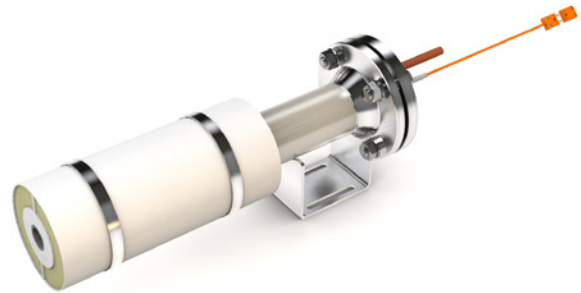
KANTHAL® FLOW HEATER KFH2-03-230 HEATING GASES UP TO 1100°C

TECHNICAL SPECIFICATION

SPECIFICATIONS

GENERAL

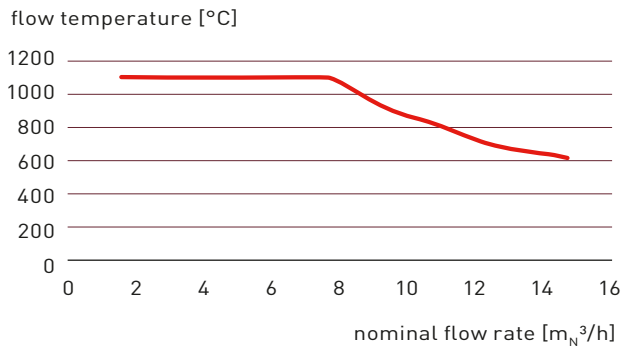
Model	KFH2-03-230		
Article Number	DFH100105 / DFH100106		
Directive	Low Voltage Directive 2014/35/EU		
 European Community	DIN EN 60519-1		
	DIN EN 60335-1		
Usage ambient temperature	0...40 °C		
	32...104 °F		



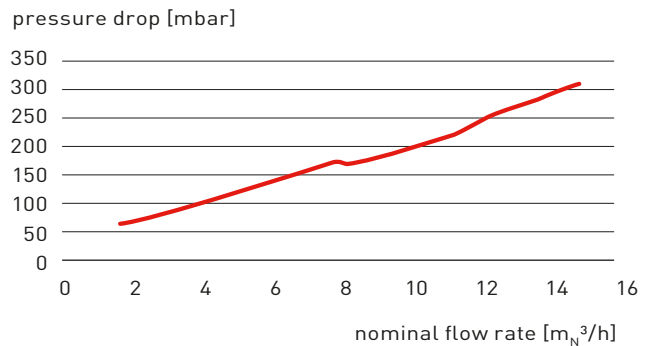
FLOW AND HEAT DETAILS

Gases and max. outlet temperature	Air (dry, clean)	1100 °C	2012 °F
	Nitrogen	1000 °C	1832 °F
	Argon	900 °C	1652 °F
Maximum inlet temperature		50 °C	122 °F
Nominal flow rate [air]	9.6 kg/h	8 m ³ /h	133 slm 4.7 cfm
Minimum flow rate [air]	1.9 kg/h	1.6 m ³ /h	26.7 slm 1 cfm
Maximum flow rate [air]	19.2 kg/h	16 m ³ /h	266 slm 9.4 cfm
Pressure drop (at nominal flow rate)	17 kPas	170 mbar	2.5 psi
Maximum operating pressure	150 kPas abs	1,5 bar abs	22 psi abs


OUTLET TEMPERATURE IN CLEAN AIR

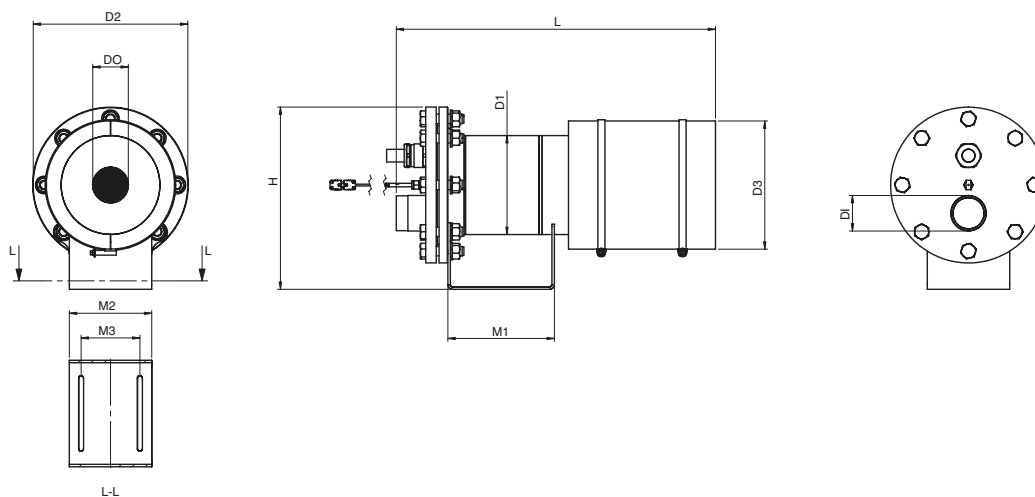


PRESSURE DROP IN CLEAN AIR



ELECTRICAL DETAILS

Nominal Voltage supply	230 V	L+N
Nominal Line Current	15.2 A	
Nominal Power	3.5 kW	
Power Cable	3G2.5 mm ²	2.5 m
Recommended Power Control	PID control with fast reaction parameter settings and thyristor switch	
Protection Class		1
Type of load	Ohmic	
Thermocouple	Type S miniature connector 2-pole	



MECHANICAL DETAILS

	L	H	D1	D2	D3	M1	M2	M3
Dimensions	498 mm	170 mm	60.3 mm	140 mm	115 mm	102 mm	70 mm	50 mm
Flow Inlet	Ferrule tube fitting			D1 Ø12 mm				
Flow Outlet	3/4"			DO Ø26.67 mm				
Weight	7.2 kg							

SPARE PARTS

DESCRIPTION	ARTICLE NUMBER
Insulation set with clamps	DFH400003
Nozzle Insulation	DFH400084