


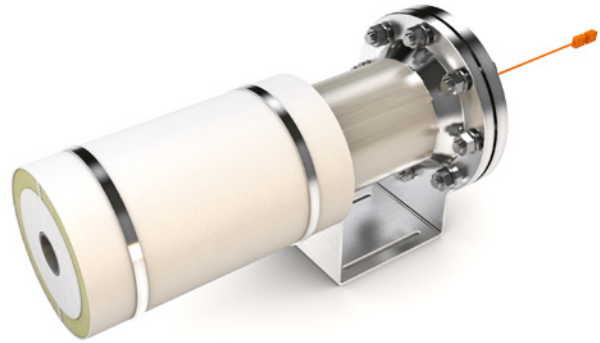
KANTHAL® FLOW HEATER KFH2-30-480 HEATING GASES UP TO 1100°C

TECHNICAL SPECIFICATION

SPECIFICATIONS

GENERAL

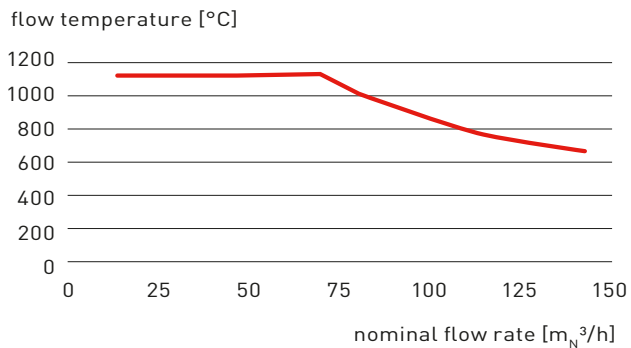
Model	KFH 2-30-480		
Article Number	DFH100607 / DFH100608		
Directive	Low Voltage Directive 2014/35/EU		
 European Community	DIN EN 60519-1		
	DIN EN 60335-1		
Usage ambient temperature	0...40 °C		
	32...104 °F		



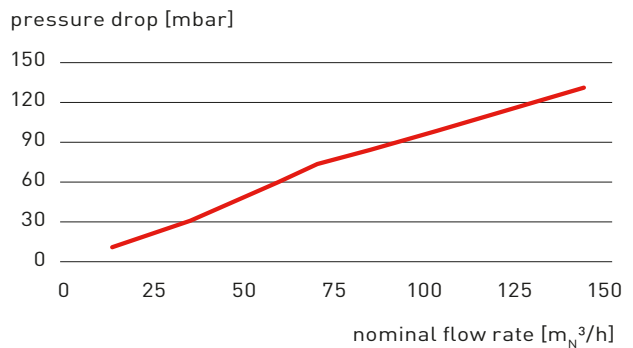
FLOW AND HEAT DETAILS

Gases and max. outlet temperature	Air (dry, clean)	1100 °C	2012 °F
	Nitrogen	1000 °C	1832 °F
	Argon	900 °C	1652 °F
Max inlet temperature		50 °C	122 °F
Nominal flow rate (air)	81 kg/h	68 m³/h	1125 slm 40 cfm
Minimum air flow rate (air)	16.2 kg/h	13.6 m³/h	225 slm 8 cfm
Maximum air flow rate (air)	162 kg/h	136 m³/h	2250 slm 80 cfm
Pressure drop (at nominal flow rate)	7.2 kPas	72 mbar	1.04 psi
Design operating pressure	150 kPas	1,5 bar abs	22 psi abs


OUTLET TEMPERATURE IN CLEAN AIR

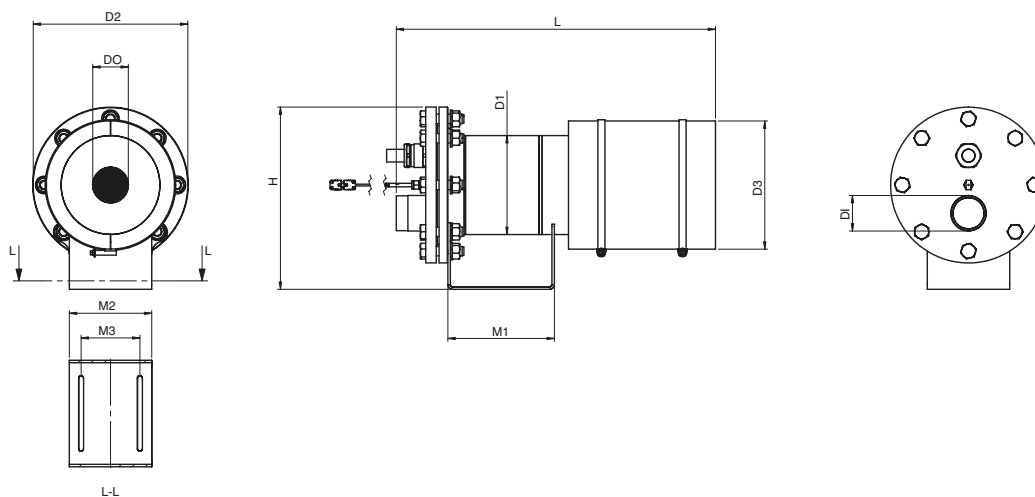


PRESSURE DROP IN CLEAN AIR



ELECTRICAL DETAILS

Nominal Voltage supply	480 V	3L+PE
Nominal Line Current	36.1 A	
Nominal Power	30 kW	
Power Cable	4G16 mm ²	2.5 m
Recommended Power Control	PID control with fast reaction parameter settings and thyristor switch	
Protection Class		1
Type of load	Ohmic	
Thermocouple	Type S, miniature connector 2-pole	



MECHANICAL DETAILS

	L	H	D1	D2	D3	M1	M2	M3
Dimensions	651 mm	283 mm	139.7 mm	240 mm	195 mm	175 mm	140 mm	100 mm
Flow Inlet	R 1½" (external thread)			D1 Ø48.3 mm				
Flow Outlet	1½"			DO Ø48.3 mm				
Weight	34,2 kg							

SPARE PARTS

DESCRIPTION	ARTICLE NUMBER
Insulation set with clamps	DFH400225
Nozzle Insulation	DFH400140