


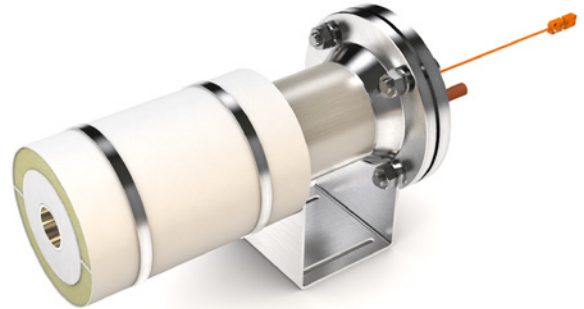
KANTHAL® FLOW HEATER KFH2-20-400 HEATING GASES UP TO 1100°C

TECHNICAL SPECIFICATION

SPECIFICATIONS

GENERAL

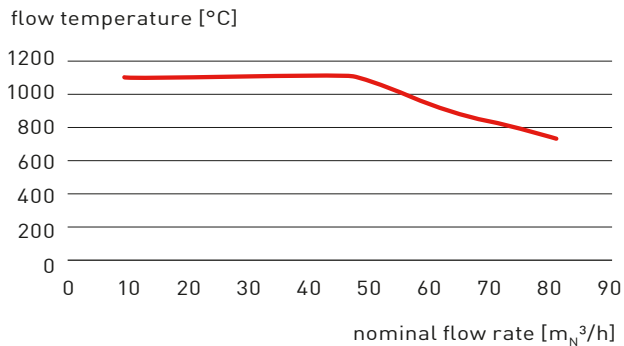
Model	KFH2-20-400		
Article Number	DFH100305 / DFH100306		
Directive	Low Voltage Directive 2014/35/EU		
 European Community	DIN EN 60519-1		
	DIN EN 60335-1		
Usage ambient temperature	0...40 °C		
	32...104 °F		



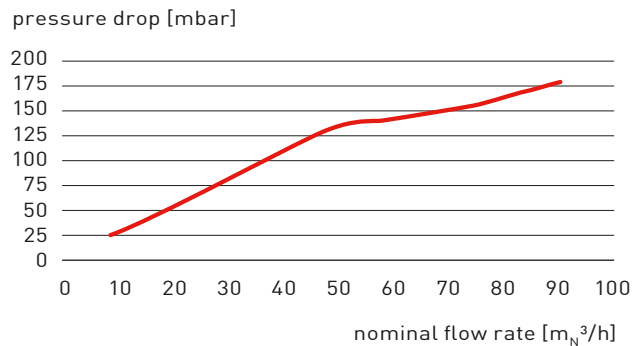
FLOW AND HEAT DETAILS

Gases and max. outlet temperature	Air (dry, clean)	1100 °C	2012 °F	
	Nitrogen	1000 °C	1832 °F	
	Argon	900 °C	1652 °F	
Maximum inlet temperature		50 °C	122 °F	
Nominal flow rate [air]	54 kg/h	45 m ³ /h	750 slm	26.5 cfm
Minimum flow rate [air]	10.8 kg/h	9 m ³ /h	150 slm	5.3 cfm
Maximum flow rate [air]	108 kg/h	90 m ³ /h	1500 slm	53 cfm
Pressure drop (at nominal flow rate)	13 kPas	130 mbar	1.9 psi	
Maximum operating pressure	150 kPas abs	1,5 bar abs	22 psi abs	


OUTLET TEMPERATURE IN CLEAN AIR

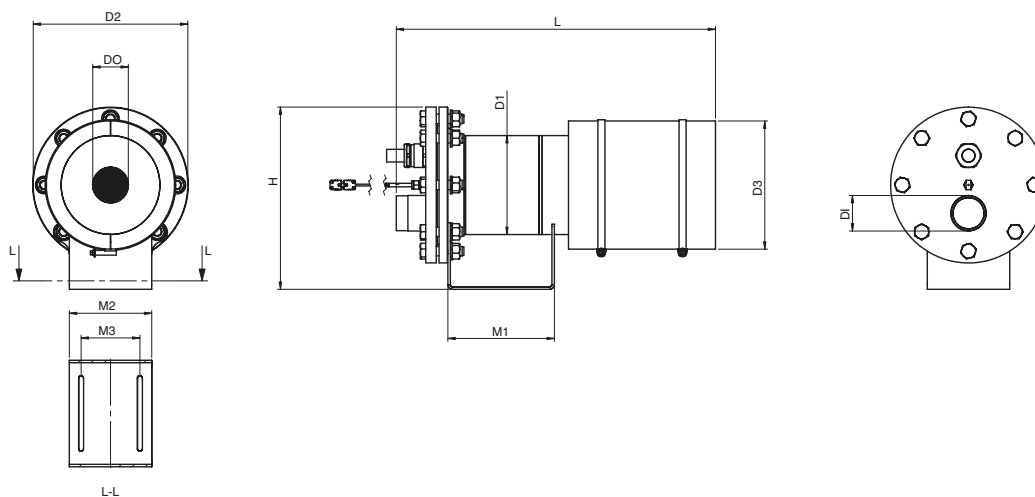


PRESSURE DROP IN CLEAN AIR



ELECTRICAL DETAILS

Nominal Voltage supply	400 V	3L
Nominal Line Current	29 A	
Nominal Power	20 kW	
Power Cable	4G6 mm ²	2.5 m
Recommended Power Control	PID control with fast reaction parameter settings and thyristor switch	
Protection Class		1
Type of load	Ohmic	
Thermocouple	Type S, miniature connector 2-pole	



MECHANICAL DETAILS

	L	H	D1	D2	D3	M1	M2	M3
Dimensions	470 mm	263 mm	114.3 mm	210 mm	165 mm	136 mm	140 mm	100 mm
Flow Inlet	R 1¼" (external thread)			D1 Ø42.4 mm				
Flow Outlet	1½"			DO Ø48.3 mm				
Weight	18,3 kg							

SPARE PARTS

DESCRIPTION	ARTICLE NUMBER
Insulation set with clamps	DFH400006
Nozzle Insulation	DFH400085